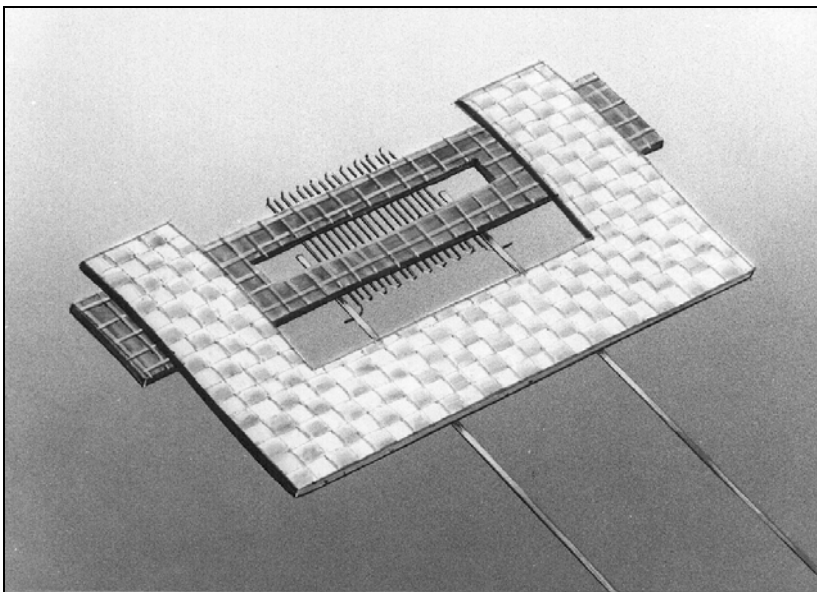


# HITEC

High Temperature  
Free Filament Gages



HF-Series free filament strain gages are the result of 30 years of elevated temperature strain gage installation experience. Free Filament gages are suitable for dynamic and static stress measurement. Also can easily be used on carbon composites.

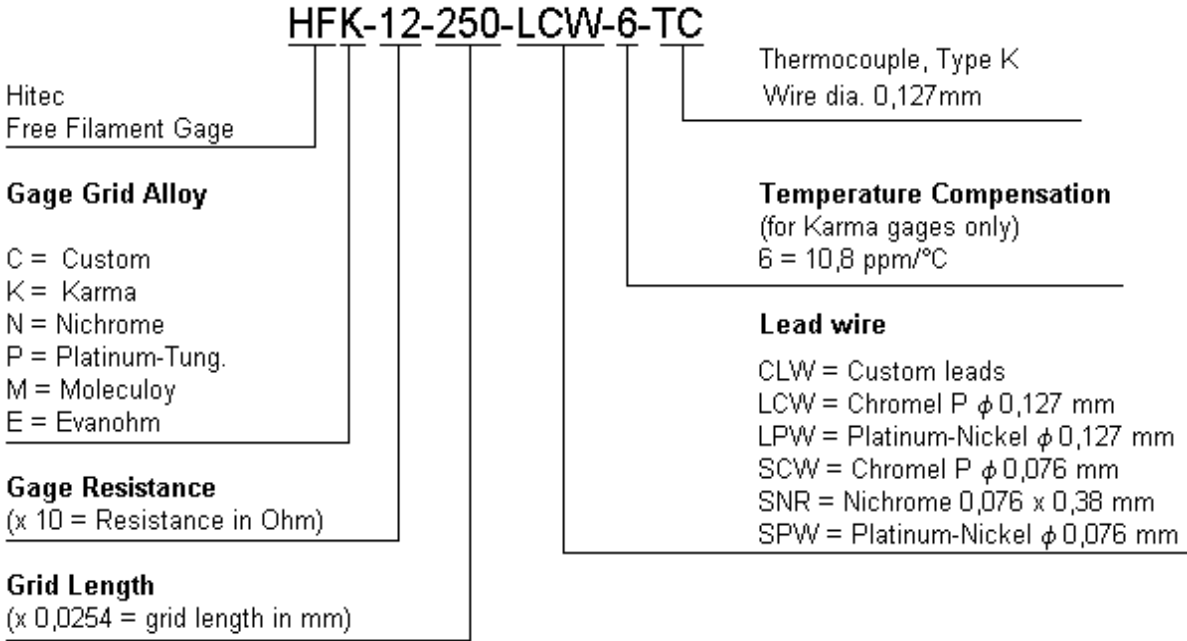
**Typical applications are measurement on:**

- Gas turbines
- Exhausts of cars and trucks
- Compressor blades
- Safety of piping in power plants
- Research in nuclear reactors

**Features:**

- Temperature range up to 980°C
- Grid length 0,7 to 6,35 mm
- Resistance 100, 120, 200 and 350 Ohm
- Custom configurations
- Flame spray or ceramic cement application
- Can be used on carbon composites
- Integral Thermocouple Type K, optionally available

**Designation Code**



\* "No shelf life" version with flat grid available.

## HITEC FREE FILAMENT STRAIN GAGES



RoHS  
COMPLIANT

GAGE TYPE	GRID LENGTH inches/mm	GRID WIDTH inches/mm	RESISTANCE OHMS	GRID-MATERIAL	GAGE FACTOR NOMINAL	MAX. TEMP. RANGE °C Static/Dynamic	SELF TEMP. COMPENSATION
HFK-12-125-SCW-6	0.125/3.18	0.078/2.00	120 ± 2.5	Karma	2.2	-268 ~ 315/870	Yes
HFK-12-125-SCW-6-TC	0.125/3.18	0.078/2.00	120 ± 2.5	Karma	2.2	-268 ~ 315/870	Yes
HFK-12-250-LCW-6	0.250/6.35	0.093/2.36	120 ± 2.5	Karma	2.2	-268 ~ 315/870	Yes
HFK-12-250-LCW-6-TC	0.250/6.35	0.093/2.36	120 ± 2.5	Karma	2.2	-268 ~ 315/870	Yes
HFK-35-250-LCW-6	0.250/6.35	0.328/8.33	350 ± 5	Karma	2.2	-268 ~ 315/870	Yes
HFK-35-250-LCW-6-TC	0.250/6.35	0.328/8.33	350 ± 5	Karma	2.2	-268 ~ 315/870	Yes
HFN-06-030-SCW	0.030/0.76	0.041/1.04	60 ± 2	Nichrome	1.7	-268 ~ 260/980	No
HFN-12-063-SCW	0.063/1.60	0.090/2.29	120 ± 2	Nichrome	2.0	-268 ~ 260/980	No
HFN-12-125-SCW	0.125/3.18	0.062/1.57	120 ± 2.5	Nichrome	2.2	-268 ~ 260/980	No
HFN-35-125-SCW	0.125/3.18	0.200/5.08	350 ± 5.0	Nichrome	2.2	-268 ~ 260/980	No
HFN-12-250-LCW	0.250/6.35	0.093/2.36	120 ± 2.5	Nichrome	2.2	-268 ~ 260/980	No
HFN-12-250-LCW-TC	0.250/6.35	0.093/2.63	120 ± 2.5	Nichrome	2.2	-268 ~ 260/980	No
HFN-35-250-LCW	0.250/6.35	0.218/5.54	350 ± 5	Nichrome	2.2	-268 ~ 260/980	No
HFN-35-250-LCW-TC	0.250/6.35	0.218/5.54	350 ± 5	Nichrome	2.2	-268 ~ 260/980	No
HFP-12-063-SPW	0.063/1.68	0.060/1.52	120 ± 2	Plat-Tung	4.0	-268 ~ 650/815	No
HFP-12-125-SPW	0.125/3.18	0.062/1.57	120 ± 2.5	Plat-Tung	4.0	-268 ~ 650/815	No
HFP-12-250-SPW	0.250/6.35	0.093/2.36	120 ± 2.5	Plat-Tung	4.0	-268 ~ 650/815	No
HFP-12-250-SPW-TC	0.250/6.35	0.093/2.36	120 ± 2.5	Plat-Tung	4.0	-268 ~ 650/815	No
HFP-35-125-SPW	0.125/3.18	0.150/3.81	350 ± 5	Plat-Tung	4.0	-268 ~ 650/815	No
HFP-35-250-SPW	0.250/6.35	0.187/4.75	350 ± 5	Plat-Tung	4.0	-268 ~ 650/815	No
HFP-35-250-SPW-TC	0.250/6.35	0.187/4.75	350 ± 5	Plat-Tung	4.0	-268 ~ 650/815	No
HFM-10-063-SCW	0.080/2.00	0.080/2.00	100 ± 10	Moleculoy	2.4	-268 ~ 260/980	No
HFM-20-125-SCW	0.125/3.18	0.180/4.57	200 ± 20	Moleculoy	2.4	-268 ~ 260/980	No
HFM-10-063-SCW (Flat Grid)	0.080/2.00	0.080/2.00	100 ± 10	Moleculoy	2.4	-268 ~ 260/980	No
HFM-20-125-SCW (Flat Grid)	0.125/3.18	0.180/4.57	200 ± 6	Moleculoy	2.4	-268 ~ 260/980	No
HFE-12-125-SPW	0.135/3.18	0.078/2.00	120 ± 3.5	Evanohm	2.4	-268 ~ 260/980	No

©1993 Hitec Products, Inc.

Vishay Measurements Group GmbH, Tatschenweg 1 DE-74078 Heilbronn Fon: (+49) 7131 39099-0 Fax: (+49) 7131 39099-229 Email: [mm.de@vishaypg.com](mailto:mm.de@vishaypg.com) Internet: [www.vishaypg.com](http://www.vishaypg.com)